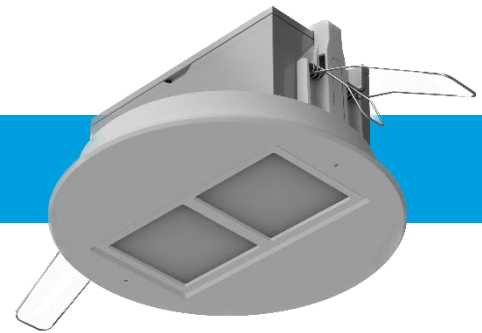


Product sheet

# Suspended Ceiling Mount



## Making Buildings smart

### Description

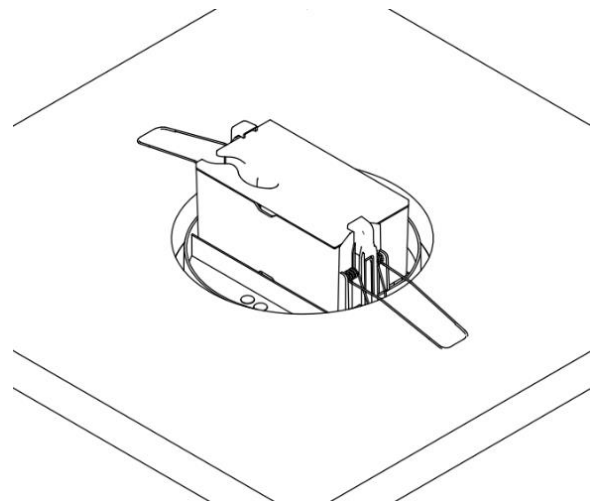
Circular holder with spring clips to mount a Tri- or BiSensor in a suspended ceiling. Suitable for flush mounting.

### Easy Installation

When placing unit into assembly hole (Ø 105mm) ensure locking springs are in upright position. The small clip slides to the side of the holder along the ceiling plate. The large clip will rest on top of the suspended ceiling. Push holder gently into the hole.

Minimum installation depth required for mounting the holder is 60mm.

This product sheet is subject to change without notice.

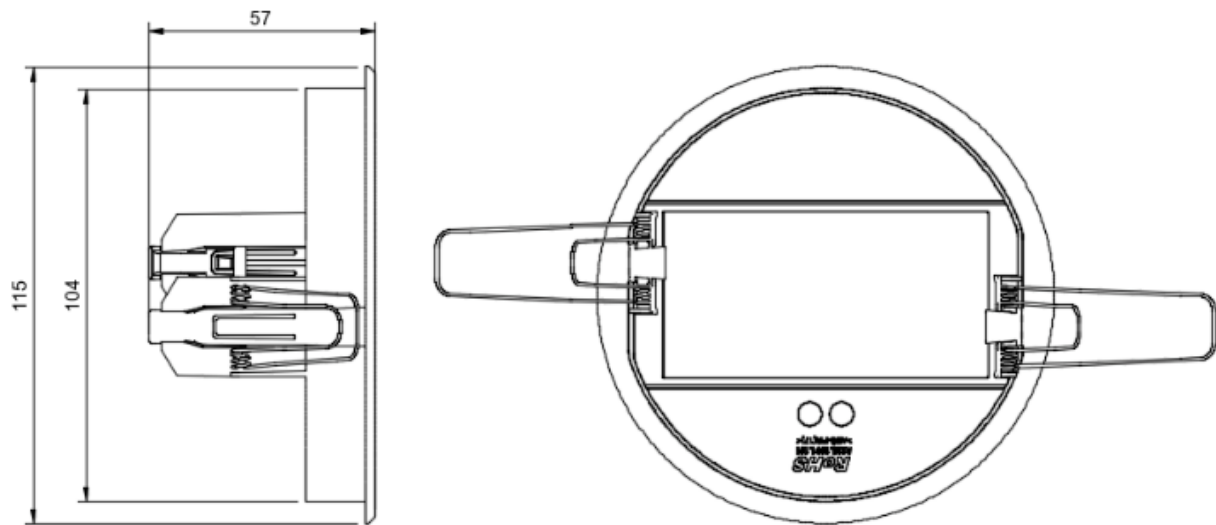


A view from above of the assembly after installation.

## Device Information

Order information	
<b>Suspended Ceiling Mount Traffic White RAL9016</b>	BLC.5532.001

Housing	
<b>DxH</b>	115mm x 57/55mm
<b>Min. installation depth</b>	60mm free space
<b>Assembly hole</b>	105mm
<b>Weight</b>	37.5 gram
<b>Material</b>	ABS
<b>Colour</b>	Traffic White RAL9016



**Dimensions of the suspended ceiling mount as reference.**