

# Mymesh Product Sheet

Connect any light, anywhere.

## MYMESH-HBWD IP66



### IP66 Rated Ceiling High Bay (Wide) Passive Infra Red (PIR) Occupancy Detector & Photocell

(Input: 100-240 Vac 50/60Hz)

This MYMESH-HBWD IP66 High Bay (Wide Detection) Lighting Control has an IP66 rated weatherproof enclosure and can be ceiling mounted. Configurable for any room occupancy style, via the Mymesh App.

#### Installation:

Please read these instructions before installing the product.

NOTE: MYMESH-HBWD IP66 is compatible with Mymesh commissioning tools.

To be installed by a competent person with reference to BS 7671 or equivalent local standards. If in doubt consult a qualified electrician.

- Plan where the MYMESH-HBWD IP66 is to be located (see diagram 1). Switch off supply and check for hidden cables and pipes.
- Remove the front cover by quarter turning the four quick release fasteners to the '0' position (see diagram 4 overleaf).
- Mount the back section of the mounting box in the required location via the 4 corner holes.
- Thread mains cable carefully through the required membrane entry point.
- Unclip the internal back plate. Remove the required knock out if replacing the optional internal back plate.
- Thread mains cable into the unit. The MYMESH-HBWD IP66 should be connected as shown in diagram 2:  
L - Live in. N - Neutral in.
- Reclip the internal back plate if required.
- Replace the front cover ensuring the quick release fasteners are secured in the '1' position.

#### Operation:

To check the operation of the MYMESH-HBWD IP66:

- Turn on the supply then after 20 seconds if the sensor has recognised movement of a person within its zone of detection the integral red LED on MYMESH-HBWD IP66 will stay illuminated for 4 seconds before the red LED turns off.

- Thereafter, every time movement is detected by MYMESH-HBWD IP66 the integral red LED will stay illuminated for 4 seconds.

The control also features adjustable time out (time lag) control and daylight threshold control which are configured via the Mymesh App.

#### Precautions:

- Do not place the MYMESH-HBWD IP66 near heat sources, fans or in ventilated ceiling voids.
- MYMESH-HBWD IP66 can be wired in parallel (sharing the same Live and Neutral).
- Do not place close to, or positioned such that, any light source points directly into the MYMESH-HBWD IP66.
- Ensure wires and cables are securely held within the connection terminals.
- The MYMESH-HBWD IP66 should be protected by a 5 or 6 Ampere mcb or fuse.
- Disconnect the MYMESH-HBWD IP66 from the circuit before performing insulation testing of the wiring circuit.

#### Colour options:

This product is available in 3 colour options designated by the following product codes:

- Grey: MYMESH-HBWD IP66 GY
- White: MYMESH-HBWD IP66 WH
- Black: MYMESH-HBWD IP66 BK

#### Status LED blinking sequence:

See diagram 6 overleaf.

Normal: Both LED's off.

Identification of device: Red LED blinks.

#### 5 YEAR WARRANTY

MYMESH-HBWD IP66 comes with a 5 year warranty from the date of manufacture and is CE marked.



# MYMESH-HBWD IP66: Technical Specifications

DIAGRAM 1:  
Detection

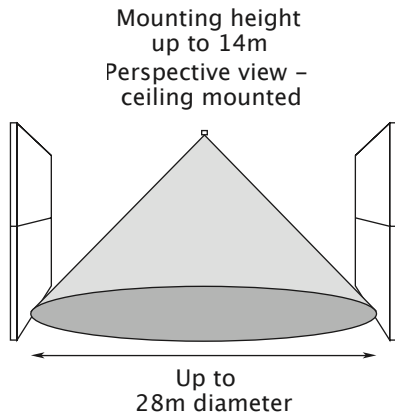


DIAGRAM 2:  
Wiring:

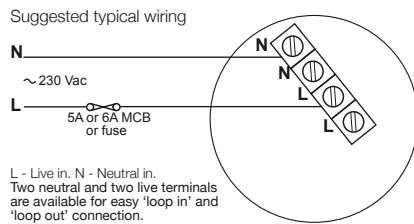


DIAGRAM 3:  
Dimensions:

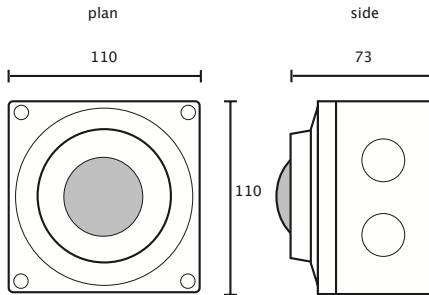


DIAGRAM 4:  
Installation:

IP66: Using the membrane entry -  
Ø cable: 5.2m - 17mm

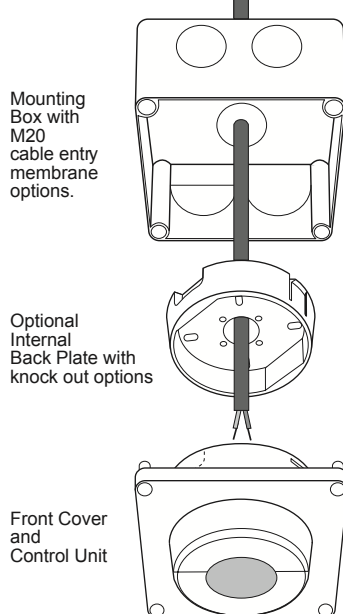
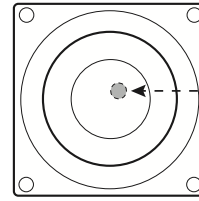


DIAGRAM 5:  
Status LED:



STATUS LED.  
Normal:  
Both LED's off.  
Identification of de  
Red LED blinks.

## Technical details:

| INPUT  |   |
|--|---|
| Voltage:   | 100 - 240Vac  |
| Frequency:   | 50/60Hz   |
| Max. mains current:  | 20mA  |
| Standby current:   | 14mA  |
| RADIO TRANSCIEVER  |   |
| Operating frequencies:   | 2.4... 2.480 GHz  |
| Max. output power:   | +4 dBm  |
| LUX PARAMETERS   |   |
| Range:   | 5 - 2000 lux  |
| OPERATING CONDITIONS   |   |
| Note: The temperature difference between the detection target and the background must be at least 4 °C.                                  |   |
| Ambient temperature:   | -20... +40 °C (out 20mA)                                  |
| Storage temperature:   | -25... +75 °C   |
| Max. relative humidity:  | 0... 80%, non cond.                                       |
| CONNECTORS   |   |
| Terminal block Wire size:  | 0.5mm <sup>2</sup> - 2.5mm <sup>2</sup> solid or stranded |
| Wire strip length:   | 6-7mm   |
| Tightening torque:   | 0.4 Nm/4 Kgf.cm   |
| MECHANICAL DATA  |   |
| Dimensions:  | 110mm x 110mm x 73mm                                      |
| Weight:  | 245g (unpacked)   |
| Degree of protection:  | IP66  |
| Protection class:  | Built-in Class 2  |
| Material (casing)  | Flame-retardant polycarbonate/polypropylene               |
| Finish / Colour MYMESH-HBWD IP66 GY  | Matt /Grey (RAL 7035)                                     |
| Finish / Colour MYMESH-HBWD IP66 WH  | Matt /Grey (RAL 9001)                                     |
| Finish / Colour MYMESH-HBWD IP66 BK  | Matt /Grey (RAL 9005)                                     |
| Protection class:  | Built-in Class 2  |
| CONFORMITY AND STANDARDS   |   |
| <b>EMC emission:</b><br>EN 301 489-1 V2.2.0, EN 301 484-3, EN 55032: 2015, EN61000-3-2: 2014, EN61000-3-3: 2013                          |   |
| <b>EMC immunity:</b><br>EN 301 489-1 V2.2.0, EN 301 484-3  |   |
| <b>Environment:</b><br>Complies with WEEE and RoHS directives  |   |
| <b>CB scheme:</b><br>IEC60669-1:1998, IEC60669-1:1998/AMD1:1999, IEC60669-1:1998/AMD2:2006, IEC60669-2:2002, IEC60669-2-1:2002/AMD1:2008 |   |
| <b>Radio:</b><br>EN 300 440  |   |