

Mymesh Product Sheet

Connect any light, anywhere.



MYMESH-HBND IP66

IP66 Rated Ceiling High Bay (Narrow) Passive Infra Red (PIR) Occupancy Detector & Photocell

(Input: 100-240 Vac 50/60Hz)

This MYMESH-HBND IP66 High Bay (Narrow Detection) Lighting Control has an IP66 rated weatherproof enclosure and can be ceiling mounted. Configurable for any room occupancy style, via the Mymesh App.

Installation:

Please read these instructions before installing the product.

NOTE: MYMESH-HBND IP66 is compatible with Mymesh commissioning tools.

To be installed by a competent person with reference to BS 7671 or equivalent local standards. If in doubt consult a qualified electrician.

- Plan where the MYMESH-HBND IP66 is to be located (see diagram 1). Switch off supply and check for hidden cables and pipes.
- Remove the front cover by quarter turning the four quick release fasteners to the '0' position (see diagram 4 overleaf).
- Mount the back section of the mounting box in the required location via the 4 corner holes.
- Thread mains cable carefully through the required membrane entry point.
- Unclip the internal back plate. Remove the required knock out if replacing the optional internal back plate.
- Thread mains cable into the unit. The MYMESH-HBND IP66 should be connected as shown in diagram 2:
L - Live in. N - Neutral in.
- Reclip the internal back plate if required.
- Replace the front cover ensuring the quick release fasteners are secured in the '1' position.

Operation:

To check the operation of the MYMESH-HBND IP66:

- Turn on the supply then after 20 seconds if the sensor has recognised movement of a person within its zone of detection the integral red LED on MYMESH-HBND IP66 will stay illuminated for 4 seconds before the red LED turns off.

- Thereafter, every time movement is detected by MYMESH-HBND IP66 the integral red LED will stay illuminated for 4 seconds.

The control also features adjustable time out (time lag) control and daylight threshold control which are configured via the Mymesh App.

Precautions:

- Do not place the MYMESH-HBND IP66 near heat sources, fans or in ventilated ceiling voids.
- MYMESH-HBND IP66 can be wired in parallel (sharing the same Live and Neutral).
- Do not place close to, or positioned such that, any light source points directly into the MYMESH-HBND IP66.
- Ensure wires and cables are securely held within the connection terminals.
- The MYMESH-HBND IP66 should be protected by a 5 or 6 Ampere mcb or fuse.
- Disconnect the MYMESH-HBND IP66 from the circuit before performing insulation testing of the wiring circuit.

Colour options:

This product is available in 3 colour options designated by the following product codes:

- Grey: MYMESH-HBND IP66 GY
- White: MYMESH-HBND IP66 WH
- Black: MYMESH-HBND IP66 BK

Status LED blinking sequence:

See diagram 6 overleaf.

- Normal: Both LED's off.
- Identification of device: Red LED blinks.

5 YEAR WARRANTY

MYMESH-HBND IP66 comes with a 5 year warranty from the date of manufacture and is CE marked.



MYMESH-HBND IP66: Technical Specifications

DIAGRAM 1:
Detection

Mounting height up to 12m
Perspective view – ceiling mount

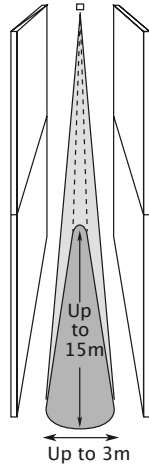
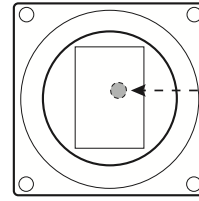


DIAGRAM 5:
Status LED:



STATUS LED.
Normal:
Both LED's off.
Identification of
Red LED blinks.

DIAGRAM 2:
Wiring:

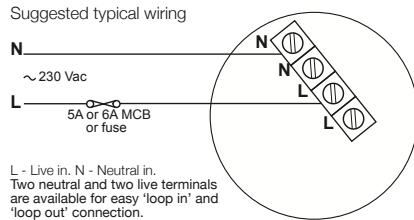


DIAGRAM 3:
Dimensions:

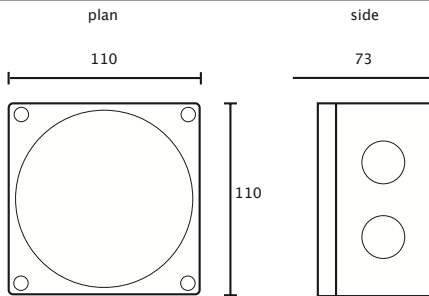
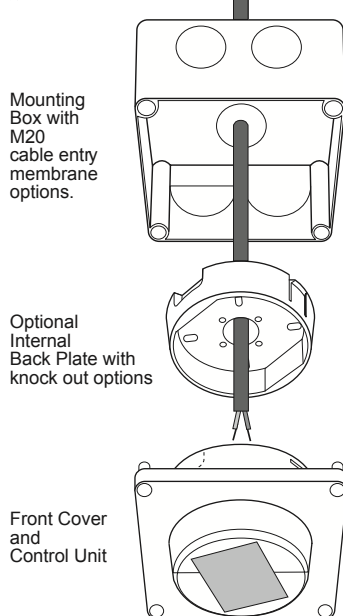


DIAGRAM 4:
Installation:

IP66: Using the membrane entry -
Ø cable: 5.2m - 17mm



Technical details:

INPUT	
Voltage:	100 - 240Vac
Frequency:	50/60Hz
Max. mains current:	20mA
Standby current:	14mA
RADIO TRANSCIEVER	
Operating frequencies:	2.4... 2.480 GHz
Max. output power:	+4 dBm
LUX PARAMETERS	
Range:	5 - 2000 lux
OPERATING CONDITIONS	
Note: The temperature difference between the detection target and the background must be at least 4 °C.	
Ambient temperature:	-20... +40 °C (out 20mA)
Storage temperature:	-25... +75 °C
Max. relative humidity:	0... 80%, non cond.
CONNECTORS	
Terminal block Wire size:	0.5mm ² - 2.5mm ² solid or stranded
Wire strip length:	6-7mm
Tightening torque:	0.4 Nm/4 Kgf.cm
MECHANICAL DATA	
Dimensions:	110mm x 110mm x 73mm
Weight:	255g (unpacked)
Degree of protection:	IP66
Protection class:	Built-in Class 2
Material (casing)	Flame-retardant polycarbonate/polyproylene
Finish / Colour MYMESH-HBND IP66 GY	Matt /Grey (RAL 7035)
Finish / Colour MYMESH-HBND IP66 WH	Matt /Grey (RAL 9001)
Finish / Colour MYMESH-HBND IP66 BK	Matt /Grey (RAL 9005)
Protection class:	Built-in Class 2
CONFORMITY AND STANDARDS	
EMC emission: EN 301 489-1 V2.2.0, EN 301 484-3, EN 55032: 2015, EN61000-3-2: 2014, EN61000-3-3: 2013	
EMC immunity: EN 301 489-1 V2.2.0, EN 301 484-3	
Environment: Complies with WEEE and RoHS directives	
CB scheme: IEC60669-1:1998, IEC60669-1:1998/AMD1:1999, IEC60669-1:1998/AMD2:2006, IEC60669-2:2002, IEC60669-2-1:2002/AMD1:2008	
Radio: EN 300 440	