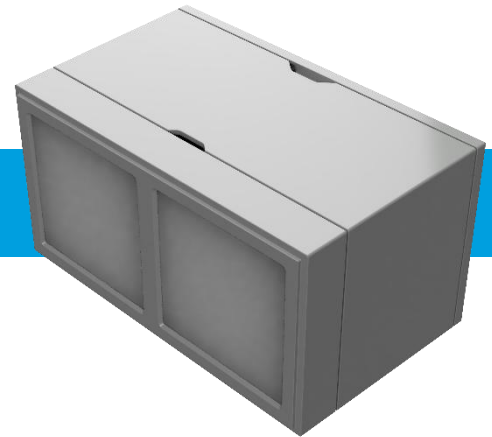


Installation instruction

GST – Trisensor/Bisensor (CO₂)





The GST-Trisensor, GST Bisensor and GST-Bisensor CO₂ are products in the Mymesh program for wireless building control. The GST-Trisensor is a wireless sensor for measurement of the room temperature, relative humidity, occupancy (number of persons), ambient light level, slight motion detection and sound pressure. The GST-Bisensor is a variant, which only measures ambient light level and slight motion detection. The GST-Bisensor CO₂ in addition measures the CO₂ concentration. All three sensors can be used as Bluetooth beacon for location based services. The sensors are powered by the mains using a Wieland GST connector.

Do not remove the foil at the front of the GST-Trisensor and GST Bisensor since this has functional use.

Installation instructions below are written for the GST-Trisensor, but also apply for the GST-Bisensor and GST-Bisensor CO₂.

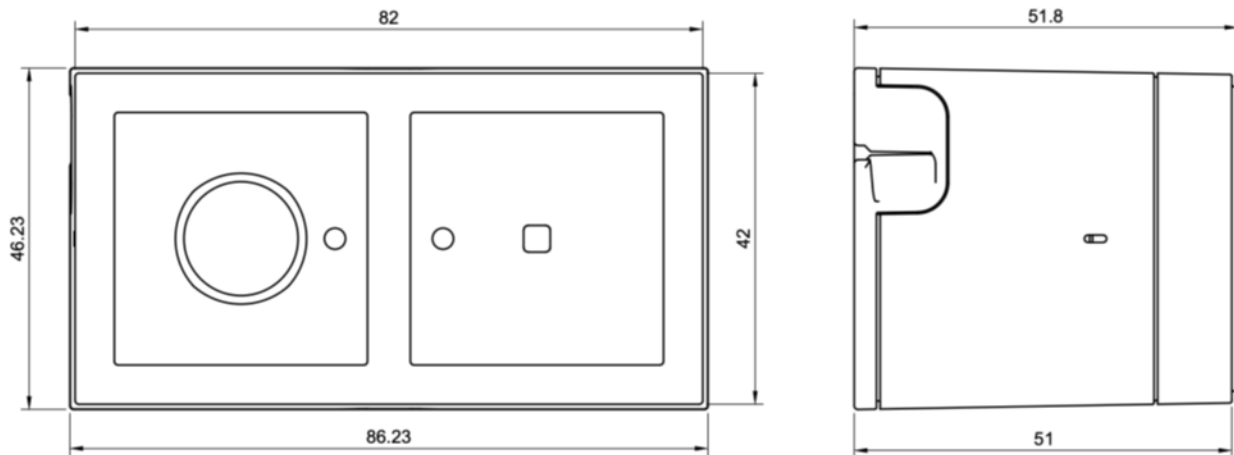
Safety

-  Installation and service should be performed by qualified personnel only.
- The electrical installation must be in conformance with the national legislation and relevant standards.
- The mains connection of the GST-Trisensor must be provided with a fuse or circuit breaker.
- Disconnect power at the source before installation, inspection or removal
- Do not use the GST-Trisensor if it is damaged.
-  The GST-Trisensor is suitable for use at indoor locations (IP20 protection class).
- The GST-Trisensor is double insulated (protection class II).

Application

Refer to the GST-Trisensor product sheet (see mymesh.nl) for the environmental conditions.

Dimensions



Mounting

Locate the GST-Trisensor in the direct neighbourhood of other Mymesh products. Mount the GST-Trisensor in/at the ceiling above the desired detection zone. Use multiple GST-Trisensors for larger areas. Read the GST-Trisensor product sheet for the sensor specifications.

Installation

Two standard mounting options are available for the GST-Trisensor:

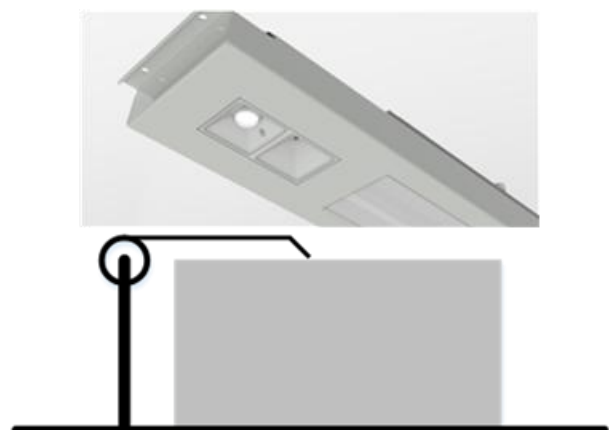
- Rectangular hole
- Round ceiling adapter plate

Do not touch the foil at the front of the GST-Trisensor or GST-Bisensor to prevent damage !!

Installation in rectangular hole

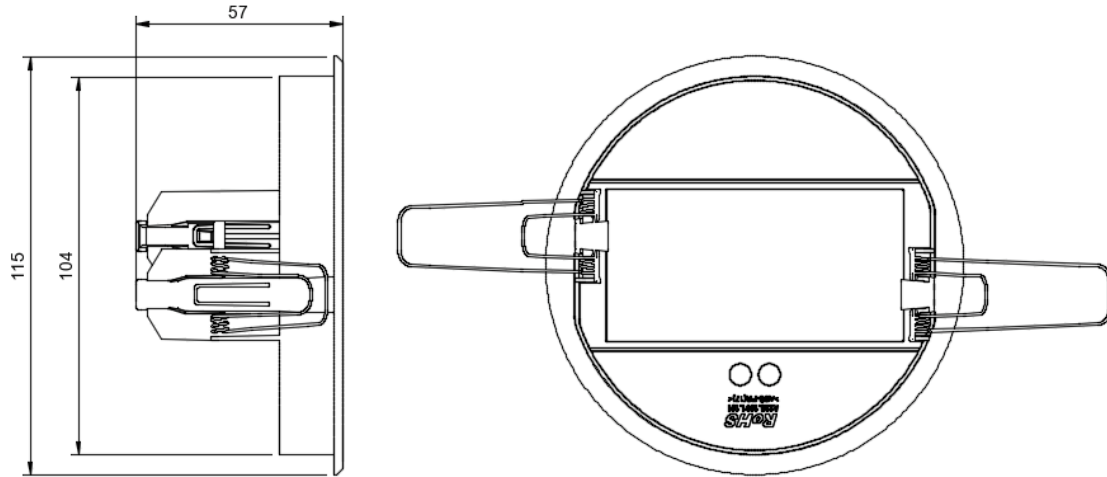
The GST-Trisensor is suitable for mounting in a rectangular hole of 42 x 82 mm. A raised edge on the front of the GST-Trisensor supports correct adjustment.

- Mount the GST-Trisensor with the front in the hole.
- Fixate the GST-Trisensor using a spring roll (not supplied).
- Connect the GST-Trisensor to the mains using Wieland GST connectors, GST18i3 series, mains 250V (not included).

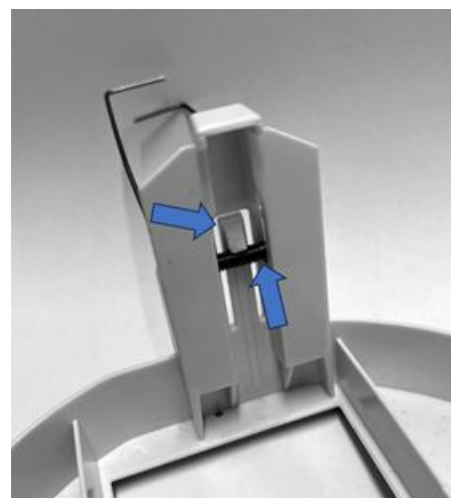


Installation with round ceiling adapter plate

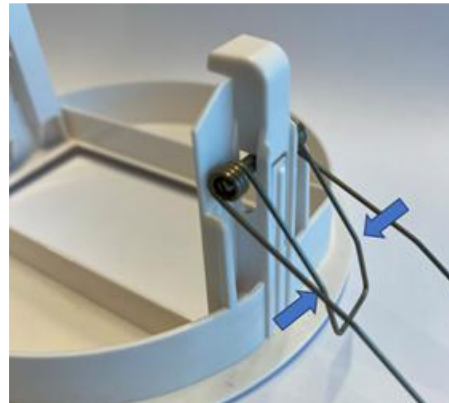
Apply the round ceiling adapter plate for mounting in a suspended ceiling.



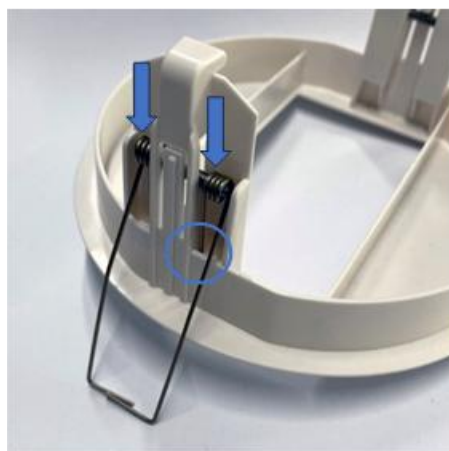
- Drill a hole of 108-110 mm in the suspended ceiling
- Mount the GST-Trisensor in the holder
- Connect the GST-Trisensor using Wieland GST cables (GST18i3 series, mains 250V)
- Push the adapter plate with long springs into the hole until the shorter springs touch the suspended ceiling. Push steady until the adapter plate is fixated
- Apply a (wooden) back plate to protect the rims of the hole at soft suspended ceiling material.
- Change the mounting of the spring roll for installation in thin (metal) ceilings:
- Push the plastic pin backwards and pull the metal spring upwards.



- Cut the short part of the metal spring at the nod (2x).



- Turn the short spring backwards and push it downwards such that the ends fall into the slots.



Configuration

Use the iPad Mymesh Glass app and the Mymesh Management System (MMS) for configuration of the GST-Trisensor.

The GST-Trisensor is provided with an identification LED which can be activated with the Mymesh Glass app. The LED will also light when the PIR detects motion and the GST-Trisensor still has factory settings.

Usage

The GST-Trisensor will control the lighting and/or climate in the configured room.

Conformity

This product complies with the European directives and relevant standards for RED, REACH and RoHS. The Mymesh GST-Trisensor / GST-Bisensor / GST-Bisensor CO₂ is provided with a 2.4GHz radio. The applied frequency of the radio is within the band 2.401 – 2.482 GHz and the maximum transmit power is +4 dBm.

Hereby, Chess Wise B.V. declares that the radio equipment type Mymesh GST-Trisensor / GST-Bisensor / GST-Bisensor CO₂ is in compliance with directive 2014/53/EU. The full text of the EU declaration of conformity is available at mymesh.nl.

Repair

Do not open this product. In case of failure the GST-Trisensor must be replaced.

Recycling

Do not dispose this product as household waste, but bring it to an appropriate collection point for recycling.

