

Installation instruction

GST - DALI



The GST-DALI is part of the Mymesh program for building light control. The GST-DALI is a wireless light controller for DALI drivers.

Safety

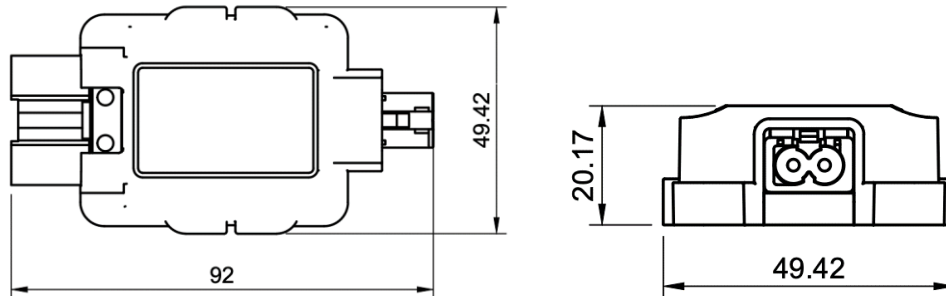


- Installation and service should be performed by qualified personnel only.
- The electrical installation must be in conformance with the national legislation and relevant standards.
- The mains connection of the GST-DALI must be provided with a fuse or circuit breaker.
- Disconnect power at the source before installation, inspection or removal
- Do not use the GST-DALI if it is damaged.
- The GST-DALI is suitable for use at indoor locations (IP20 protection class). Mount the GST-DALI in an IP66 housing for use at outdoor locations.
- The GST-DALI is double insulated (protection class II).
- The DALI terminals are non-isolated (not SELV).
- Do not connect 230VAC to the DALI bus.

Application

Refer to the GST-DALI product sheet (see mymesh.nl) for the environmental conditions.

Dimensions



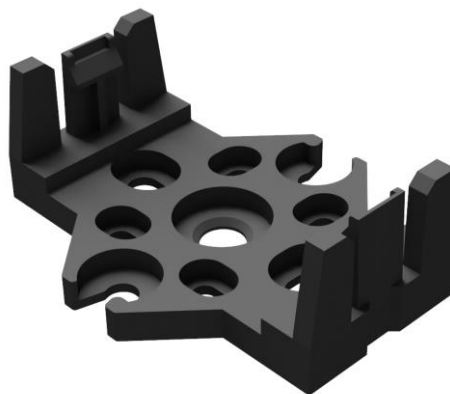
Mounting

The GST-DALI is provided with an internal antenna, which is located at the bottom of the housing. Since it is used for wireless communication with other Mymesh products it is important that operation of the antenna is not disturbed.

- Install the GST-DALI in the direct neighbourhood of other Mymesh products.
- Install the GST-DALI **always** in the delivered mounting clip to ensure free space at the bottom side.
- Do **not** install the GST-DALI in a metal housing or directly next to a large metal object.
- Some glass and plastic materials such as safety glass, tinted glass and double glass influence the operation of an antenna.
- Use a plastic, polycarbonate or fiberglass housing **without** carbon.

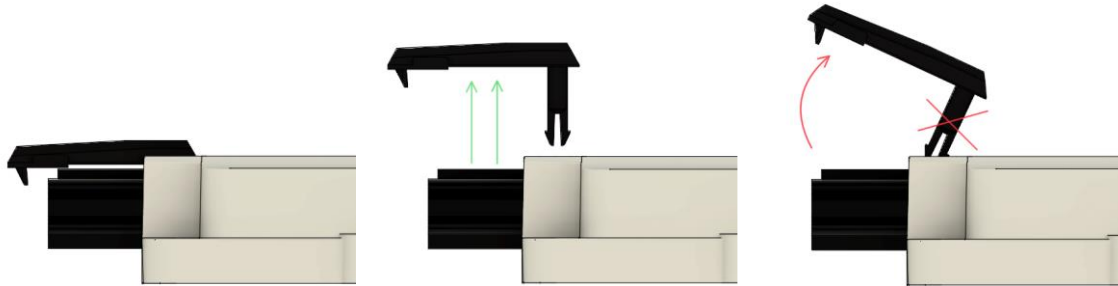
Installation

- Install the GST-DALI with the delivered mounting clip on a flat surface.

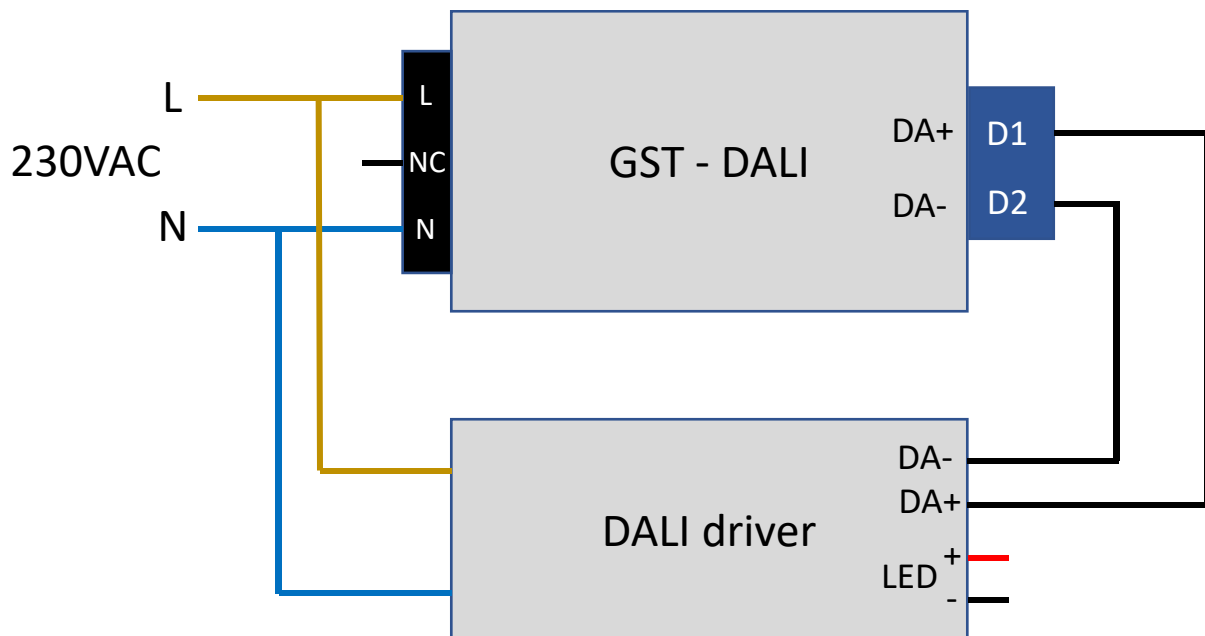


- Connect the GST-DALI with Wieland GST connectors:
 - 230VAC: GST18I3L S1H SW
 - Dali: GST15I2L B1H W PB01

- Remove the securing clip straight up (e.g. with a screwdriver) to release the 230VAC cabling. Do **not** try to bend the securing clip. It might break.



- One GST-DALI controls one lighting fixture with a maximum of 3 DALI drivers. The GST-DALI supplies the DALI bus power. See diagram below.



Configuration

Use the iPad Mymesh commissioning app and the Mymesh Management System (MMS) for configuration of the GST-DALI.

Usage

The GST-DALI will control the connected lighting fixture.

Conformity



This product complies with the European directives and relevant standards for RED, REACH and RoHS. The Mymesh GST-DALI is provided with a 2.4GHz radio. The applied frequency of the radio is within the band 2.401 – 2.482 GHz and the maximum transmit power is +4 dBm.

Hereby, Chess Wise B.V. declares that the radio equipment type Mymesh GST-DALI is in compliance with directive 2014/53/EU. The full text of the EU declaration of conformity is available at mymesh.nl.

Repair

Do not open this product. In case of failure the GST-DALI must be replaced.

Recycling



Do not dispose this product as household waste, but bring it to an appropriate collection point for recycling.